

Classic Way

ZASŁAW™ CURTAIN SEMITRAILERS



*Solutions for Long-distance
Transport*



Rear bumper made of stainless steel



Entry ladder – steel, galvanized



Galvanized double bolts of rear door



Standard rear view



Electrical wiring by premium-brand producers ASPOCK, HELLA



Reinforced rear door made of aluminium panels



Axles aggregates BPW or SAF

Solutions for Long-distance Transport



Sliding roof VERSUS with steel ball bearings



Reinforced front wall made of aluminium panels, XL -26 t



Standard front view



Tarpaulin tensioner, front



Fire extinguishers in boxes as optional ADR equipment



Landing legs BPW



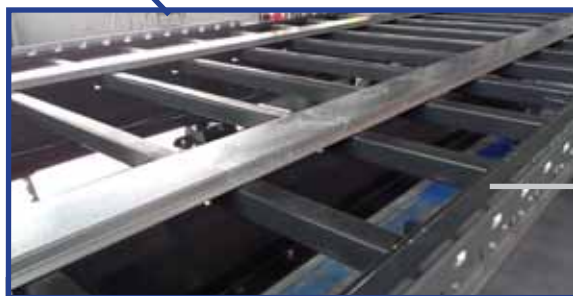
Possibility of stacking planks to use them as side board



Pallet Stop



MULTILOCK TSS Trailis Safety System



Latest on the market galvanized frame adjusted for three-wheel forklifts



Floor made of 27 mm thick anti-slip plywood, screwed and sealed



CLASSIC WAY ZASŁAW – CURTAINSIDER



Galvanized frame



Upperstructure with roof liftable for loading and with two internal heights for driving



Highest quality design and print of the adverts on the tarpaulin



Version of side tarpaulin clamps depending on the EN 12642 XL certificate



Spare wheel carrier type (basket or winch) according to choice

Foldable side underride guards



Console of pneumatics control and axle load manometer, plastic toolbox with equipment



Central lifting of the first axle



Lockable pallet box



Construction of upperstructure reinforcements depending on EN 12642 XL certificate



Water tank 30l with soap dispenser





CLASSIC WAY ZASŁAW – DROPSIDE CURTAINSIDER



Aluminium dropside 600 mm or 800 mm

Side tarpaulin as a curtain with rubber strings for tensioning



Sliding roof and 4 rows of wooden planks, sliding side pillars



Dropside curtainsider combines the advantages of hermetic upperstructure of tarpaulin-box semitrailer with TIR carnet with easy opening of a curtainsider



Front wall and full rear door made of aluminium profiles





CURTAIN SEMITRAILER FOR WHITE GOODS / AUTOMOTIVE TRANSPORT



Manufactured in compliance with the requirements of EN 12642 XL norm – reinforced front wall made of 30 mm aluminium profiles, steel pillars with 4 fixing points for belts, 6 boards between sliding pillars, floor skirting profile PYRAMID 150 mm, anti-slip floor sealed with silicone.

System solution for loading and transport of white goods and automotive packages – openable rear door portal, liftable roof +50 or +100 mm for driving and + 400 mm for loading



Connections console with fixing for the customs string, steel pillars protected cathodically against corrosion, powder coated with quick tarpaulin unstrapping system

Movable pillars with possibility of blocking in the middle section of the semitrailer, special carriage of pillars lateral extension for entry of wide forklift with full load, box for semitrailers' boards under the frame (possible transport of GITTERBOX packages with maximum usage of available loading space of the semitrailer)





CLASSIC WAY ZASŁAW – MEGA VERSION



Sliding pillars blocked at two heights. Double bolts of the rear door



Roof lifted mechanically with four HESTAL Lift-Master cylinders, blocked for driving at internal height of 3 020 mm



Sliding roof VERSUS with aluminium rail of L type which enables loading of goods of 2 480 mm pallet width up to the full height of 3 000 mm



Roof lifted for loading by 400 mm. Choice of two roof heights for driving



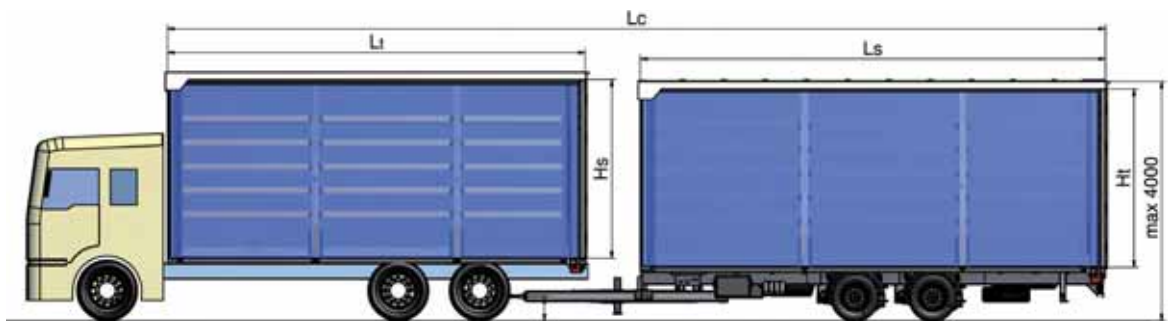
CLASSIC WAY ZASŁAW – CUBATURE SETS

A. Possible length variants of the sets Ls + Lt

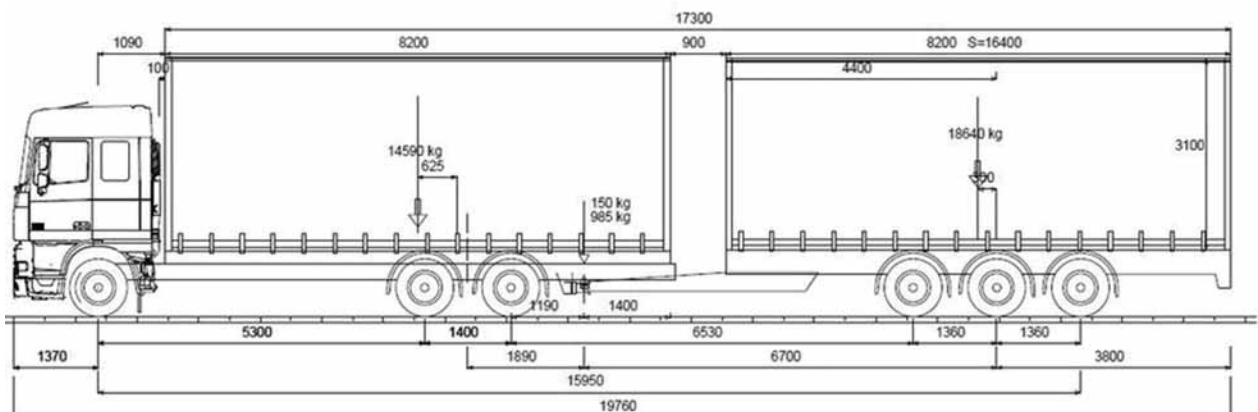
No.	Ls [mm]	Lt [mm]	Lc [mm]
1.	7450	8210	16400
2.	7820	7820	16400
3.	8210	7450	16400

B. Possible cubatures of the trailer depending on the tyres size

Tyre type	Internal height [mm]	Internal length [mm]			Cubature [m³]
		8210	7820	7450	
245/70 R17,5"	max. 3100	63,1	60,1	57,2	
265/70 R19,5"	max. 300	61	58,1	55,4	
385/55 R19,5"	max. 2980	60,6	57,7	55	



Upperstructure with tridem trailer





Parking brake console, H-S platform levelling valve, manometer

Aluminium rear door up to the roof level with internal bolts and pole for roof handling



Truck spare wheel carrier, spare wheel with carrier for the trailer

Front wall made of aluminium profiles, sliding side pillars, side wooden planks (possibility of choice of aluminium planks), floor made of 27 mm water-resistant anti-slip plywood



Console of the vehicle's coupling with pneumatic and electrical connections

Roof lifting mechanism placed on two rear and two front pillars



Telescopic landing leg, optionally mechanical landing leg – 1 leg mounted on the drawbar and 2 legs mounted in the rear part of the trailer for stabilization of the unhitched vehicle

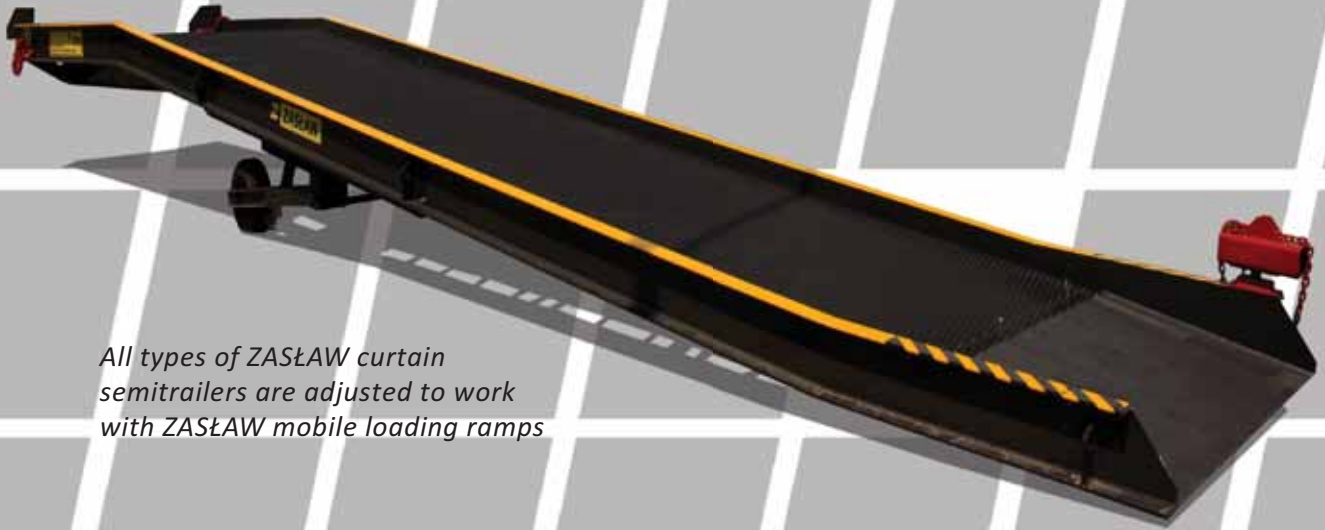
Toolbox with equipment, possibility of mounting additional toolboxes



Rear bumper made of stainless steel with a step facilitating entry on the trailer

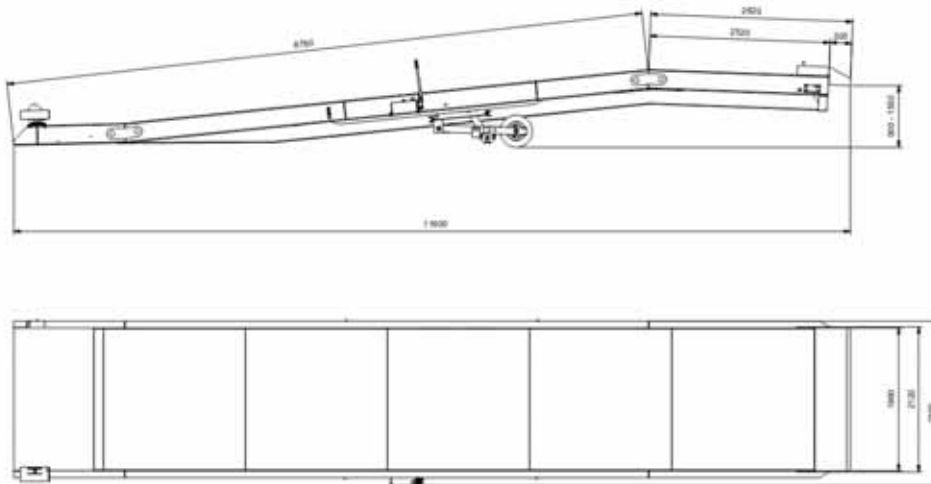


Possibility of ordering trailer and upperstructure separately



All types of ZASŁAW curtain semitrailers are adjusted to work with ZASŁAW mobile loading ramps

CLASSIC WAY ZASŁAW – MOBILE LOADING RAMP



Own weight	4 100 kg ±4%	3 900 kg ±4%	3 750 kg ±4%
Admissible load	11 000 kg	9 000 kg	7 000 kg



Technical details according to type	CURTAINSIDER		DROPSIDE CURTAINSIDER		TARPAULIN-BOX SEMITRAILER	
Technical loading capacity	31 700 kg	31 600 kg	31 550 kg	31 450 kg	31 800 kg	31 700 kg
Suspension version	Standard	Mega	Standard	Mega	Standard	Mega
Pallet capacity	34 pallets	34 pallets	34 pallets	34 pallets	34 pallets	34 pallets
Cubature, m ³	93 / 94,5	99	93 / 94,5	99	93 / 94,5	99
Own weight	6 300 kg	6 400 kg	6 450 kg	6 550 kg	6 200 kg	6 300 kg
Gross Vehicle Weight – technical	38 000 kg	38 000 kg	38 000 kg	38 000 kg	38 000 kg	38 000 kg
External length	13 896 mm	13 896 mm	13 896 mm	13 896 mm	13 896 mm	13 896 mm
External height	4 040 mm	4 040 mm	4 040 mm	4 040 mm	4 040 mm	4 040 mm
External width	2 550 mm	2 550 mm	2 550 mm	2 550 mm	2 550 mm	2 550 mm

UPPERSTRUCTURE						
Upperstructure type	Curtain	Curtain	Curtain + dropsides	Curtain + dropsides	Curtain as one piece + dropsides	Curtain as one piece + dropsides
Internal length	13 643 mm	13 643 mm	13 643 mm	13 643 mm	13 643 mm	13 643 mm
Internal height	2 750 or 2 800 mm	2 920 <-> 3 020 mm	2 750 or 2 800 mm	2 920 <-> 3 020 mm	2 750 or 2 800 mm	2 920 <-> 3 020 mm
Internal width	2 480 mm	2 480 mm	2 480 mm	2 480 mm	2 480 mm	2 480 mm
Internal dimensions of loading space – rear (height/width)	2 750 / 2 800 x 2 460 mm	2 920 <-> 3 020 x 2 460 mm	2 750 / 2 800 mm x 2 460 mm	2 920 <-> 3 020 x 2 460 mm	2 750 / 2 800 mm x 2 460 mm	2 920 <-> 3 020 x 2 460 mm
Floor – anti-slip plywood	27 mm	27 mm	27 mm	27 mm	27 mm	27 mm
Front wall	"Steel pillars filled with aluminium"	"Steel pillars filled with aluminium"	"Steel pillars filled with aluminium"	"Steel pillars filled with aluminium"	"Steel pillars filled with aluminium"	"Steel pillars filled with aluminium"
Closure type	Full aluminium door	Full aluminium door	Full aluminium door	Full aluminium door	Full aluminium door / dropside / low door	Full aluminium door / dropside / low door
Side pillars	Sliding – 3 pairs	Sliding – 3 pairs	Sliding – 3 pairs	Sliding – 3 pairs	Foldable – 3 pairs	Foldable – 3 pairs
Dropsides	NO	NO	YES	YES	YES	YES
Sliding roof	YES	YES	YES	YES	YES	YES
Liftable roof	OPTION	STANDARD	OPTION	STANDARD	N/A	N/A

CHASSIS / RUNNING GEAR						
Frame	Steel – high quality of enhanced strength					
Fifth wheel coupling / drawbar / coupling height	1 120 / 1 070 mm	950 mm	1 120 / 1 070 mm	950 mm	1 120 / 1 070 mm	950 mm
Kingpin / drawbar eye / coupling [type / pressure]	2" / 11 000 kg	2" / 11 000 kg	2" / 11 000 kg	2" / 11 000 kg	2" / 11 000 kg	2" / 11 000 kg
Distance between kingpin and 2nd axle	7 545 mm	7 545 mm	7 545 mm	7 545 mm	7 545 mm	7 545 mm
Wheelbase	1 310 / 1 310 mm	1 310 / 1 310 mm	1 310 / 1 310 mm	1 310 / 1 310 mm	1 310 / 1 310 mm	1 310 / 1 310 mm
Wheeltrack	2 040 mm	2 040 mm	2 040 mm	2 040 mm	2 040 mm	2 040 mm
Basic tyres	385/65 R22,5"	385/55 R19,5"	385/65 R22,5"	385/55 R19,5"	385/65 R22,5"	385/55 R19,5"
Suspension	Pneumatic	Pneumatic	Pneumatic	Pneumatic	Pneumatic	Pneumatic
Axles – BPW / SAF	3 x 9000 kg	3 x 9000 kg	3 x 9000 kg	3 x 9000 kg	3 x 9000 kg	3 x 9000 kg
Brakes	Disc / drum	Disc / drum	Disc / drum	Disc / drum	Disc / drum	Disc / drum

COMPLIANCE with XL NORM						
Certificate EN 12642 XL 15 ton	YES	YES	N/A	N/A	N/A	N/A
Certificate EN 12642 XL 26 ton	YES – OPTION	YES – OPTION	N/A	N/A	N/A	N/A

Wheels 385/65 R22,5	125 kg
Spare wheel carrier	13 kg
Toolbox with equipment and fixing	14 kg
Water tank with fixing	6 kg
Aluminium plank (pyramid)	5 kg
Wooden plank	4 kg
Central mechanism of axle lifting	32 kg
Bilateral mechanism of axle lifting	42 kg
Roof lifting mechanism	100 kg
Pellet box [24]	230 kg
Pallet box [30]	220 kg

The catalogue presents standard as well as optional equipment. Presented dimensions and weights have illustration character and may change depending on product specification, technologies, components used and the standards by which the product was made.



ZASŁAW™

The European Trailer Company

In our offer you can also find :

- tipper semitrailers
- semitrailers for ISO containers transport
- trailers and semitrailers for timber transport
- trailers and semitrailers for construction industry
- trailers for DIN containers
- chassis of trailers and semitrailers
- upperstructures for truck chassis
- trailers for agriculture

Call us!

We will prepare an individual offer for you!



Andrychów

ZASŁAW™ The European Trailer
Company
ul. Krakowska 140
34-120 Andrychów
fax: +48 33 875 16 66

CONTACT:
Tel: +48 516 00 49 39

www.zaslaw.eu
E-mail: zaslaw@zaslaw.eu